

Cut-to-Length Heating Cable

Industrial and Commercial Self-Regulating Heating Cable.

Cut-to-Length Heating Cables are top quality commercial, industrial self-regulating heating cables and power connection kits for ordinary and hazardous locations, roof and gutter de-icing.





COST SAVINGS

Many manufacturers specify their specific cables in various building plans, and Heat-Line's vast resource of products will almost always meet the building specification, providing equivalent performance with huge cost savings to the contractor. Heat-Line provides excellent Cut-to-Length heating cables in large or small order requirements at very competitive prices.

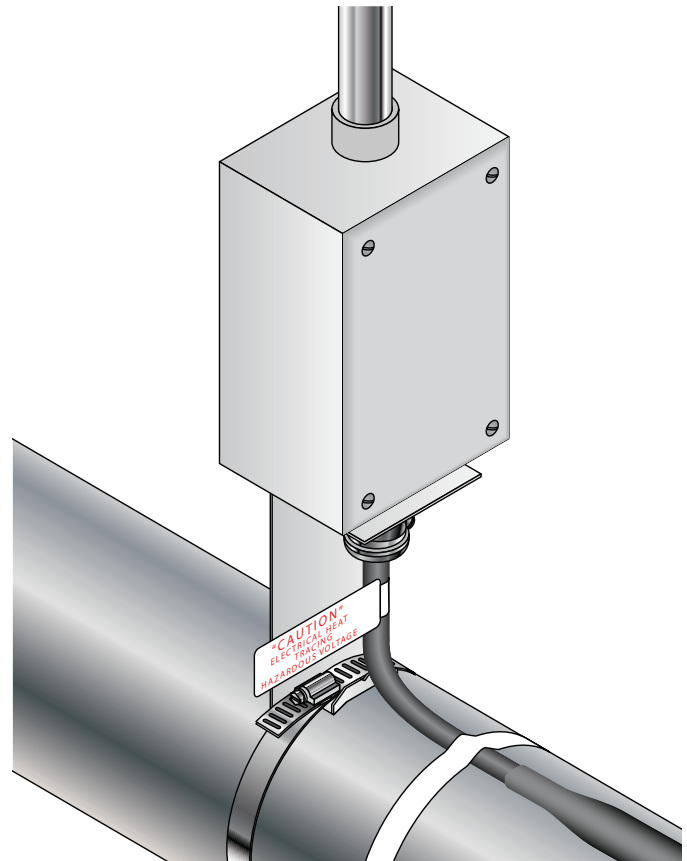
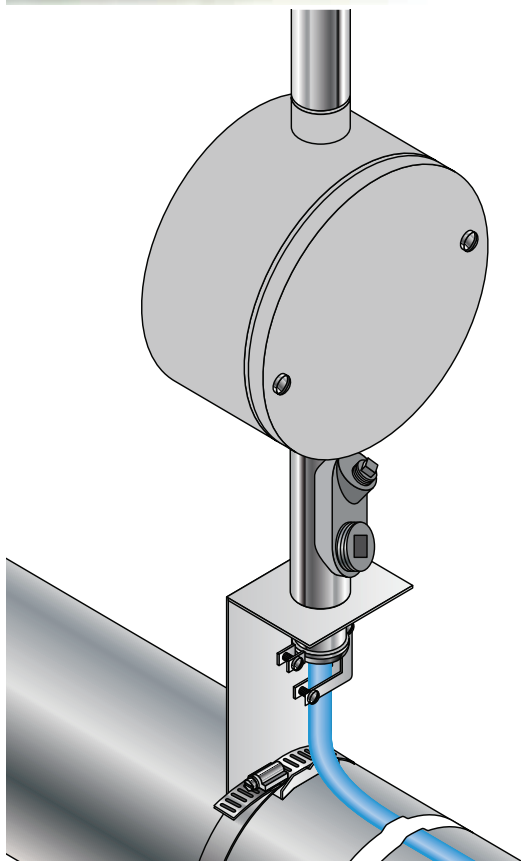
INDUSTRIAL, COMMERCIAL

Heat-Line is a sole source, high volume provider of multiple types of industrial and commercial self-regulating heating cables, components and controls. Heat-Line carries major inventories with a full understanding of the products and can provide extremely competitive pricing.

MEETS OR EXCEEDS MOST BUILDING SPECS

Heating cables are available in 120, 208, 240 and 277 volts, and wattages ranging from 3 to 20 watts per foot or 10 to 60 watts per meter. All heating cables meet or exceed most building specifications and carry regulatory approvals from CSA, FM and/or UL for ordinary and hazardous locations. Control options include: ambient and line sensing thermostats, snow melt sensors, ground fault protected thermostats and more.

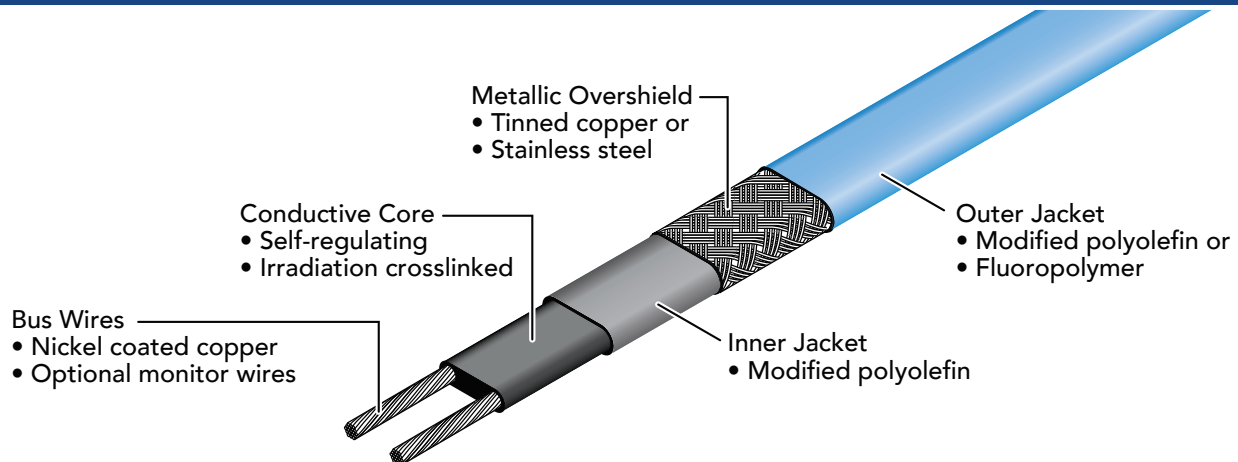
Cut-to-Length Heating Cable



General Heater Specifications

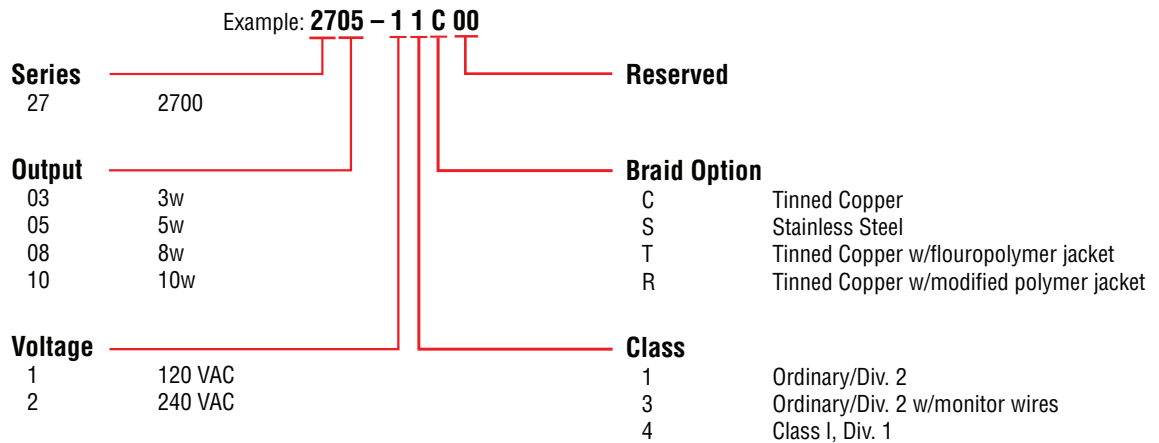
Buss wire	14-16 AWG copper or nickeled copper
Conductive core	Self-regulating / conductive polymer
Inner jacket	Polyolefin
Metallic overshield / Braid	Copper, tinned copper or stainless steel
Outer jacket	Polyolefin, fluoropolymer, TPR, TPE
Watts per foot / meter	3, 5, 8, 10, 15, 20/foot or 10-60/meter
Voltage	120, 208–277
Approvals	CSA, FM, UL
Environmental use(s)	Ordinary areas, Div. 2 hazardous locations, Corrosive environments, Roof and gutter
Reel length	Up to 1000 feet
Water resistant jacket	Yes
Flame retardant jacket	Yes
Can be overlapped	Yes
Applications	<ul style="list-style-type: none"> • Freeze protection of pipes • Fire protection system piping • Chilled water and plumbing pipes • Sump pump discharge pipes • Exposed P-traps • Cooling towers • Vessel freeze protection • Fluid flow and viscosity maintenance • Process temperature maintenance • Roof and gutter

Self-Regulating Heating Cable



Heating Cable Ordering Chart

for 2700 Series Self Regulating Heating Cable



Standard Cut-To-Length Heating Cables | Part Numbers

2703-11R	3 watt/ft, 120V, TPE jacket, Self Regulating
2703-21R	3 watt/ft, 240V, TPE jacket, Self Regulating
2705-11R	5 watt/ft, 120V, TPE jacket, Self Regulating
2705-21R	5 watt/ft, 240V, TPE jacket, Self Regulating
2708-11R	8 watt/ft, 120V, TPE jacket, Self Regulating
2708-21R	8 watt/ft, 240V, TPE jacket, Self Regulating

Electrical Connection Kits | Part Numbers

1548-40000	Power and End Seal Connection Kit, FM Hazardous and Non-Hazardous
1548-4000C	Power and End Seal Connection Kit, CSA Non-Hazardous
1548-4010C	Power and End Seal Connection Kit, CSA Hazardous and Non-Hazardous
1548-PTJ	Power Connection Kit, FM Hazardous and Non-Hazardous
1548-40RGP	Power and End Seal Kit, Roof and Gutter, CSA, UL
SRHC-ES	End Seal Kit, CSA/FM Hazardous and Non-Hazardous

* For specific approval information on the above connection kits contact Heat-Line

Note: Other heating cables and electrical connection kits available by special request.